

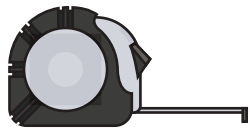
IN8231

Trade Van Racking - Single Unit

THANK YOU FOR PURCHASING A VAN GUARD TRADE VAN RACKING UNIT

TOOLS REQUIRED

TAPE MEASURE X1



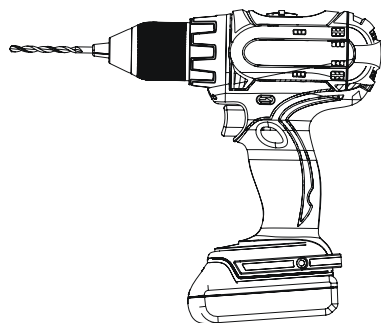
SPANNER (10MM / M6) X 2



SPANNER (13MM / M8) X 2



DRILL (Ø8.5) X 1



ONE PERSON



FITTING TIME
(APPROXIMATELY)



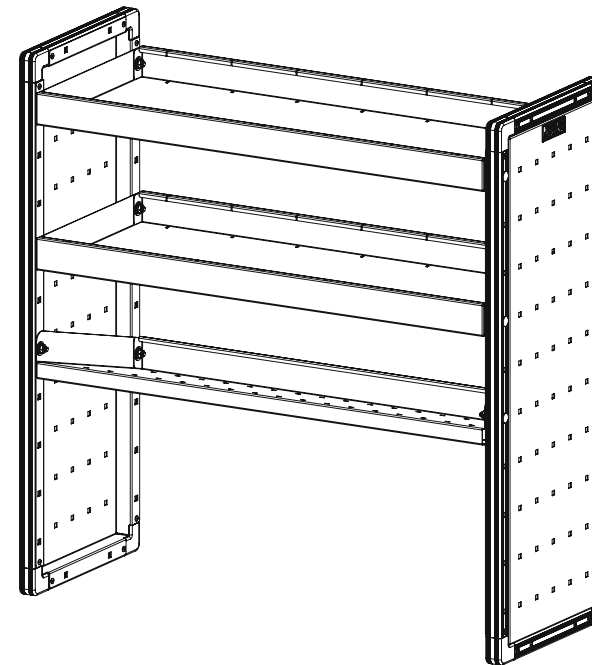
CAUTION



It is important that care is taken when drilling and fixing to your vehicle.

You should note that it is the responsibility of the installer/s to ensure that when drilling holes in to your vehicle to take fixings, care must be taken to ensure that the fuel line, tyres, fuel tank, wiring loom, exhaust, bodywork and brake lines etc. are not damaged.

If in doubt refer to the vehicle manufacturer's dealership.



This FITTING INSTRUCTION is the property of VAN GUARD ACCESSORIES LTD. and must not be used for manufacturing purposes, copied nor communicated in any way to third parties without written permission from VAN GUARD ACCESSORIES LTD.
IN8231_B

Van Guard Accessories Ltd
Fair Oak Close, Exeter Airport Business Park,
Exeter, Devon, EX5 2UL
www.van-guard.co.uk



FAILURE TO TAKE NOTICE OF THE FOLLOWING INFORMATION MAY RESULT IN SERIOUS INJURY AND / OR DAMAGE TO THE VEHICLE.

1. You should note that it is the responsibility of the installer/s to ensure that when drilling holes in to your vehicle to take fixings, care must be taken to ensure that the fuel line, tyres, fuel tank, wiring loom, exhaust, bodywork and brake lines etc. are not damaged. If in doubt refer to the vehicle manufacturer's dealership.

2. When fitting the unit to the side of a vehicle we recommend that the fixing brackets are fixed to the inner steel skin of the vehicle. Fixing to a plywood lining alone is not adequate.

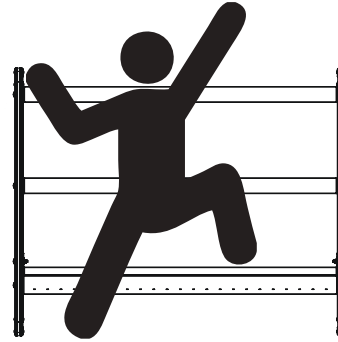
3. When fixing to the side of a vehicle, care should be taken to ensure there is sufficient room between the inner and outer skin, so as not to puncture the outer skin of the vehicle.

4. When drilling, use as short a drill bit as possible to prevent damaging the vehicle. Use corrosion protection when drilling.

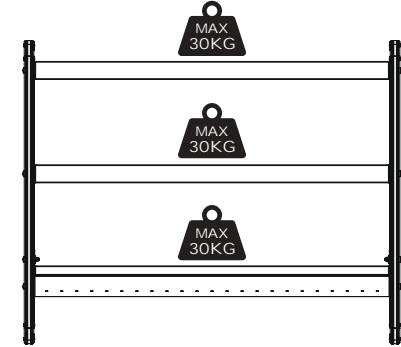
5. Regularly inspect all fixings and parts. Any damaged or worn parts should be immediately removed the vehicle and replaced.

6. We recommend this product is only fitted to vehicles with a full bulkhead.

7. This product must be fixed in place, even if it is not to be fitted inside a vehicle.



Do not climb or stand on the assembled unit.



Do not exceed the maximum weight limit of 30KG per shelf.



Wear the appropriate protective equipment (safety glasses & gloves) while fitting this product.



Dispose of packaging materials responsibly - Do not dispose until you have checked all parts and fixings are present.



Retain these fitting instructions for future reference.



It is important that the end user receives this instruction even if they are not the fitter.



WE ADVISE OPENING EACH FIXING KIT WHEN INSTRUCTED AT THE RELEVANT STEP

KT5447

SHELF FIXING KIT

FX4011 X4
(M8 FLANGE NUT)



FX4040 X4
(M8 WASHER)



FX4138 X4
(M8X50 COACH BOLT - BLACK)



ME0918 X2



ME0919 X4



ME0920 X2



KT5449

FIXING KIT A

FX4002 X6
(M8 NYLOC NUT)



FX4011 X4
(M8 FLANGE NUT)



FX4040 X16
(M8 WASHER)



FX4048 X4
(M8X50 COACH BOLT)



FX4140 X6
(M8X50 HEX BOLT)



KT5450

FIXING KIT B

FX4011 X8
(M8 FLANGE NUT)



FX4040 X8
(M8 WASHER)



FX4048 X4
(M8X50 COACH BOLT)



FX4141 X4
(M8X16 COACH BOLT)



KT5451

FIXING KIT C

FX4013 X8
(M6 WASHER)



FX4016 X8
(M6 FLANGE NUT)



FX4040 X8
(M8 WASHER)



FX4061 X8
(M6X14 HEX BOLT)



FX4142 X8
(No14 3/4" SELF TAP SCREW)





SHELF FIXING METHOD (PAGE 1 OF 1)

1.1 Open KT5447 (shelf fixing kit) - This fixing kit will be packed in the same box as the shelves (one fixing kit per shelf) and will provide the fixings required to assemble the shelves to the side panels. See page three for the parts included in this fixing kit.

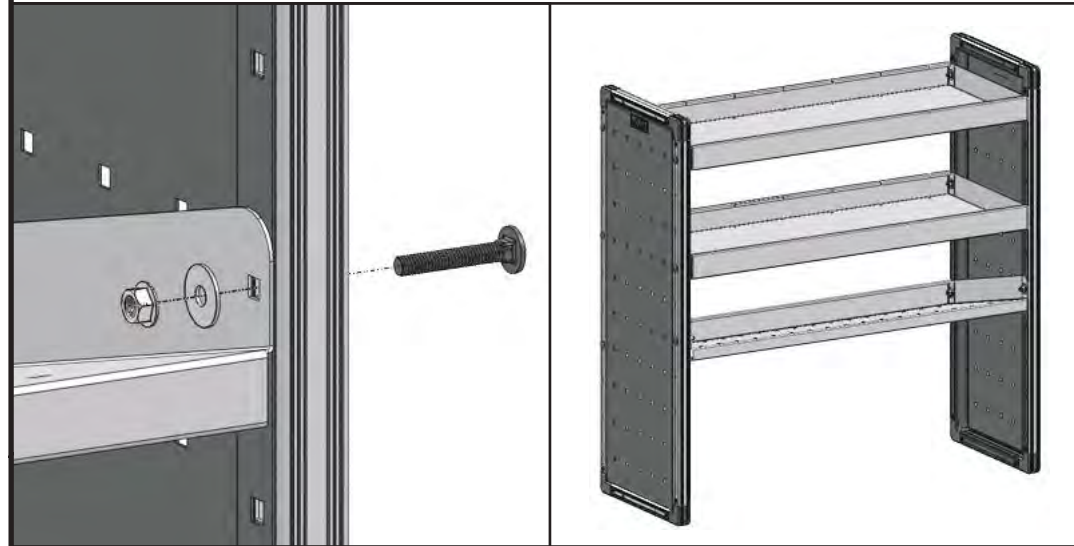


WE ADVISE OPENING EACH FIXING KIT WHEN INSTRUCTED BY THE RELEVANT STEP

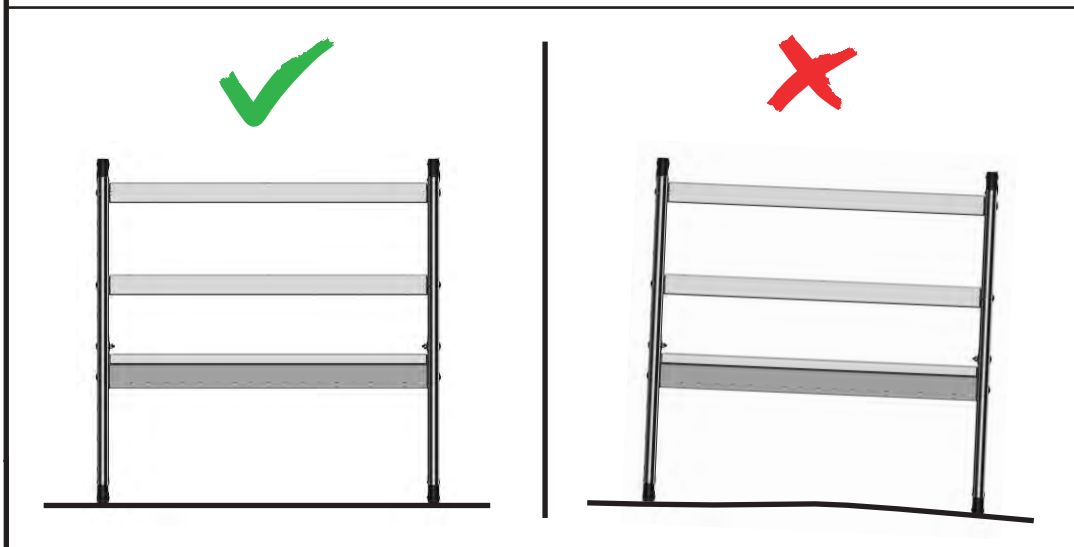
KT5447	KT5449	KT5450	KT5451
FX4011 x4 (per 1.500 shelf)	FX4002 x8 (per 1.500 shelf)	FX4011 x8 (per 1.500 shelf)	FX4013 x8 (per 1.500 shelf)
FX4040 x4 (per 1.500 shelf)	FX4011 x4 (per 1.500 shelf)	FX4040 x8 (per 1.500 shelf)	FX4016 x8 (per 1.500 shelf)
FX4138 x4 (per 1.500 shelf)	FX4040 x16 (per 1.500 shelf)	FX4048 x8 (per 1.500 shelf)	FX4040 x8 (per 1.500 shelf)
ME0918 x2	FX4048 x4 (per 1.500 shelf)	FX4115 x4 (per 1.500 shelf)	FX4061 x8 (per 1.500 shelf)
ME0919 x4	FX4148 x8 (per 1.500 shelf)		FX4142 x8 (per 1.500 shelf)
ME0920 x2			

IN8231 - PAGE 3 OF 4

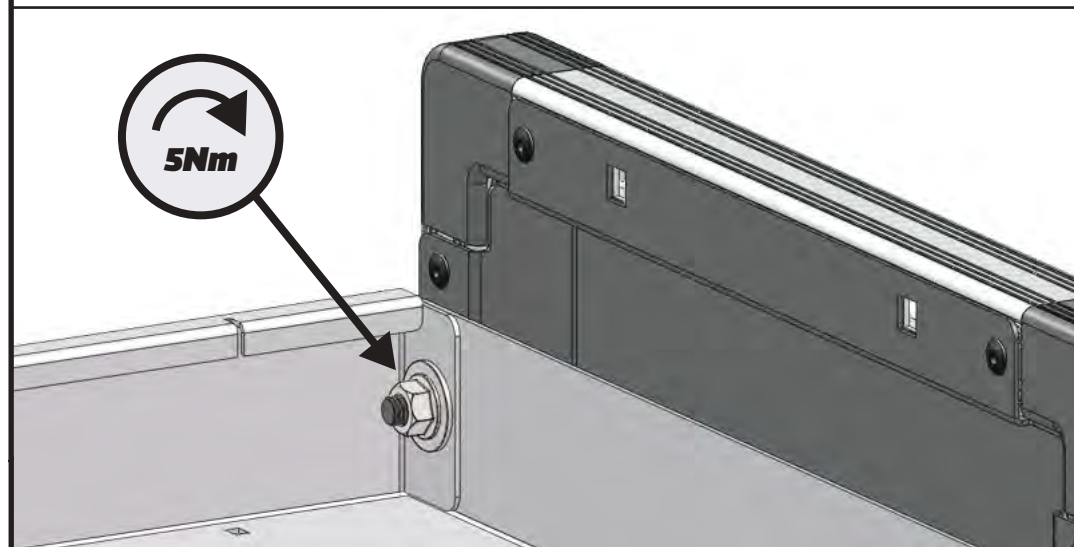
1.2 Loosely secure the shelves to the side panels using M8x50 coach bolts, M8 washers and M8 flange nuts.



1.3 Ensure the assembled unit is on a flat surface prior to tightening the fixings.



1.4 Tighten all fixings to 5Nm. Take care not to damage the unit by over tightening the fixings.





RECOMMENDED FLOOR FIXING METHOD (PAGE 1 OF 2)

2.1 The following steps list our recommended method for fixing the racking unit to the floor of a vehicle. Prior to proceeding past this point please take the time to read through the important notes on page two.

PLEASE TAKE THE TIME TO READ THROUGH THE IMPORTANT INFORMATION BELOW BEFORE PROCEEDING TO FIT THIS PRODUCT

FAILURE TO TAKE NOTICE OF THE FOLLOWING INFORMATION MAY RESULT IN SERIOUS INJURY AND / OR DAMAGE TO THE VEHICLE.

- You advise that it is the responsibility of the installer to ensure that when fitting tools or to your vehicle to take care to ensure that the following information is read and understood. This includes, but is not limited to, the following:
 - Use of tools, equipment, machinery and tools in use are not damaged. If it does refer to the vehicle manufacturer's literature.
- When fitting the unit to the side of a vehicle we recommend that the fixing brackets are fixed to the inner edge of the vehicle, ensuring a plywood lining above is not damaged.
- When fitting to the side of a vehicle, care should be taken to ensure there is sufficient clearance between the unit and side skin, so as not to damage the upper side of the vehicle.
- When drilling, use a short drill bit as possible to prevent damaging the vehicle. Use corrosion protection when drilling.
- Regularly inspect all fixings and parts. Any damage or worn parts should be immediately replaced. The vehicle and its parts should be immediately replaced. The vehicle and its parts should be immediately replaced.
- We warrant that this product is only fitted to vehicles of a full load mass.
- This product must be fixed in place, even if the unit is not fully loaded.

Do not drive or stand on this shelving unit.

Do not exceed the maximum weight limit of 200kg per shelf.

Wear the appropriate personal eye protection (goggles & gloves) when fitting this product.

Dispose of packaging materials responsibly. Do not dispose until you have checked all parts are present.

Obtain these fitting instructions for future reference.

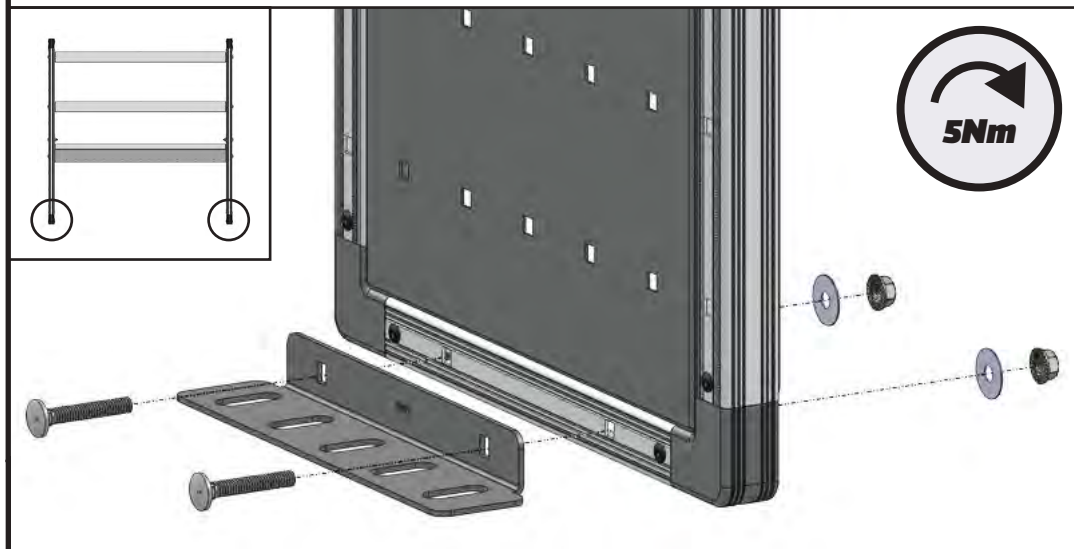
It is important that you read over these fitting instructions when it they are used on the site.

IN8231 - PAGE 2 OF 8

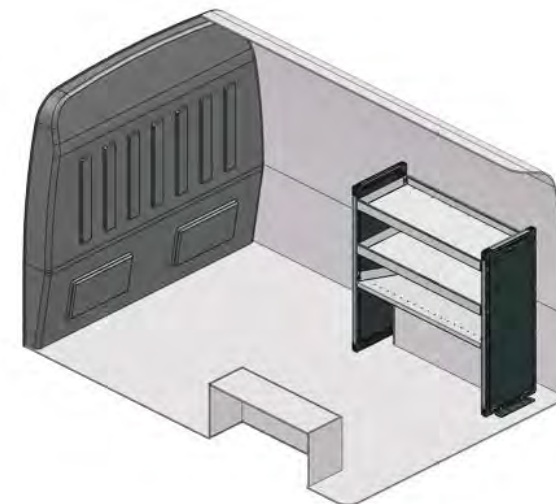
2.2 Open KT5449 (fixing kit A) - This fixing kit will provide the fixings to fix the unit to the floor of a vehicle. See page three for the parts included in this fixing kit.



2.3 Secure the floor brackets (ME0918) to the side panels using M8x50 coach bolts, M8 washers and M8 flange nuts. Tighten to 5Nm. Take care not to damage the unit by over tightening the fixings.



2.4 Position the unit inside the vehicle in desired position.





2.5



CAUTION



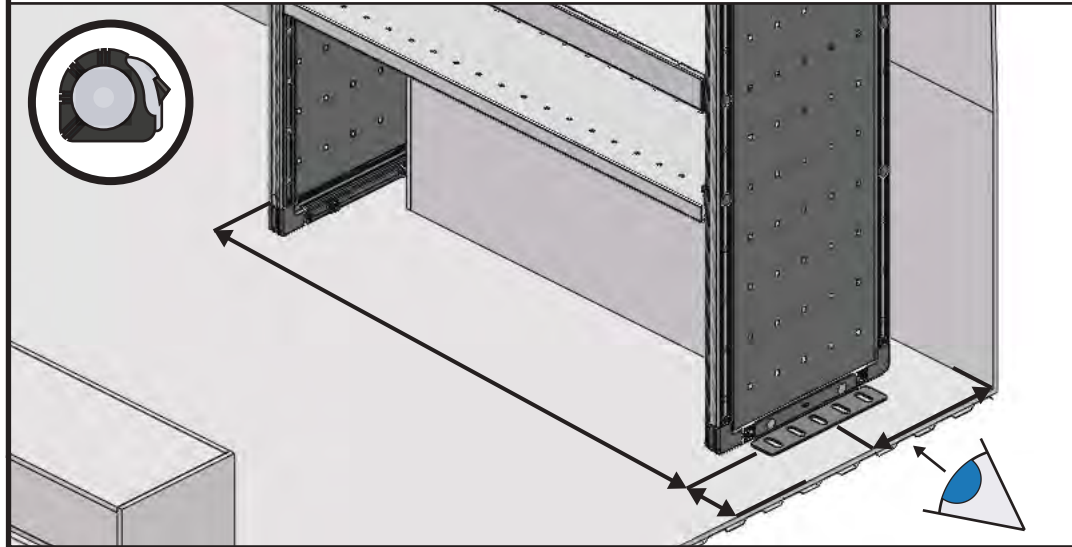
It is important that care is taken when drilling **and fixing to your vehicle.**

You should note that it is the responsibility of the installer/s to ensure that when drilling holes in to your vehicle to take fixings, care must be taken to ensure that the fuel line, tyres, fuel tank, wiring loom, exhaust, bodywork and brake lines etc. are not damaged.

If in doubt refer to the vehicle manufacturer's dealership.

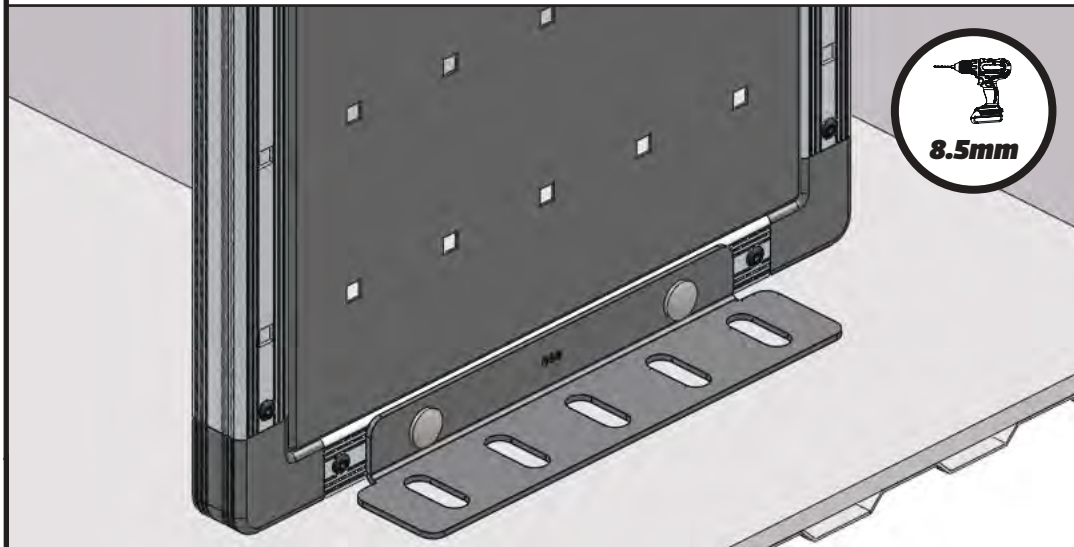
2.6

Measure from the side and rear of the vehicle and note down the positions of the floor brackets. Use the same measurements underneath the vehicle to check that the underside is clear of any obstructions so drilling can take place.



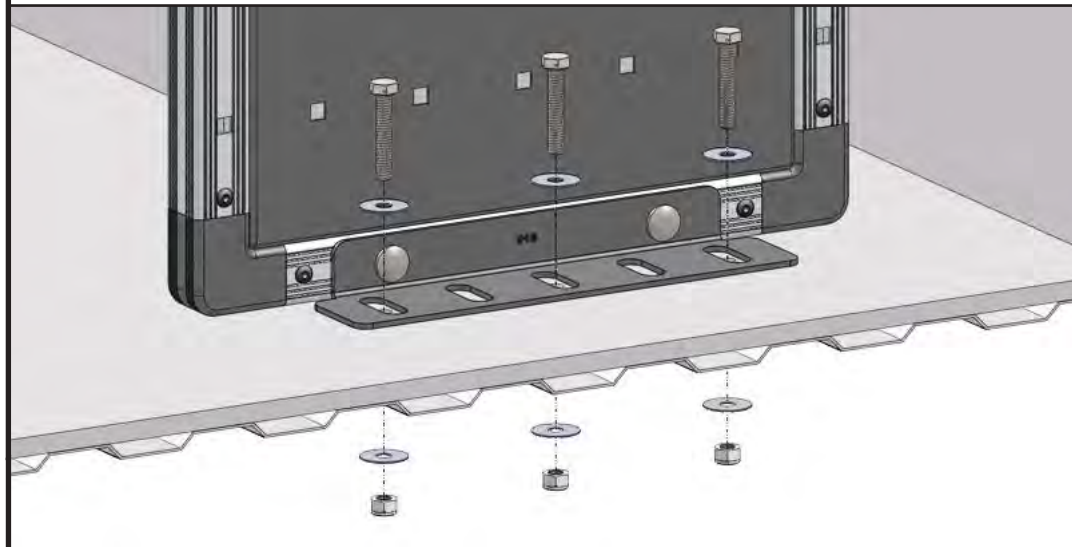
2.7

After ensuring the area under the floor bracket / vehicle floor is free from obstruction, mark the hole centres of the fixing slots. Move the unit to one side and drill Ø8.5mm through the floor of the vehicle (three positions for each bracket).



2.8

Bolt down through the floor brackets using M8x50 hex bolts and M8 washers, secure underneath the vehicle using M8 washers and M8 nyloc nuts.





RECOMMENDED SIDE FIXING METHOD (PAGE 1 OF 2)

3.1 The following steps list our recommended method for fixing the racking unit to the side of a vehicle. Prior to proceeding past this point please take the time to read through the important notes on page two.

PLEASE TAKE THE TIME TO READ THROUGH THE IMPORTANT INFORMATION BELOW BEFORE PROCEEDING TO FIT THIS PRODUCT

FAILURE TO TAKE NOTICE OF THE FOLLOWING INFORMATION MAY RESULT IN SERIOUS INJURY AND / OR DAMAGE TO THE VEHICLE.

- You advise it is the responsibility of the installer to ensure that when doing so as to your vehicle to take notice, you read the steps to ensure that the feet, legs, feet, feet, wiring, hoses, exhaust, bodywork and brake lines are not damaged. If it should refer to the vehicle manufacturer's literature.
- When fitting the unit to the side of a vehicle you recommend that the fixing brackets are fixed to the inner skin of the vehicle. Fixing to a plywood lining alone is not adequate.
- When fixing to the side of a vehicle, care should be taken to ensure there is sufficient space between the unit and outer skin, so as not to obstruct the operation of the vehicle.
- When fitting, use no more than 1 drill bit on position to prevent damaging the vehicle. Use corrosion protection when drilling.
- Regularly inspect all fixings and parts. Any damage or worn parts should be immediately replaced to the vehicle and replaced.
- We warrant that this product is only fitted to vehicles of a full 4x4.
- This product must be fixed in place, even if the unit is fixed to a vehicle.

Do not climb or stand on this shelving unit.

Do not exceed the maximum weight limit of 20kg per shelf.

Wear the appropriate personal equipment (safety glasses & gloves) when fitting this product.

Dispose of packaging materials responsibly. Do not dispose until you have checked all parts are in place and correct.

Obtain these fitting instructions for future reference.

It is important that you drill according to the instructions when it they are not the same.

IN8231 - PAGE 2 OF 8

3.2 Open KT5450 (fixing kit B) & KT5451 (fixing kit C) - These fixing kits will provide the fixings to fix the unit to the side of a vehicle. See page three for the parts included in these fixing kits.



WE ADVISE OPENING EACH FIXING KIT WITH UNEXPECTED BY THE RELEVANT STEP

KT5447 FIXING KIT A FIX4011 X8 (PER RACKING UNIT)	KT5449 FIXING KIT B FIX4002 X8 (PER RACKING UNIT)	KT5450 FIXING KIT C FIX4011 X8 (PER RACKING UNIT)	KT5451 FIXING KIT D FIX4013 X8 (PER RACKING UNIT)

IN8231 - PAGE 3 OF 8

3.3 Each side panel requires 2x fixing brackets as shown in FIG.1. Secure the fixing brackets (ME0919) to the unit in the required positions using M8x50 coach bolts, M8 washers and M8 flange nuts as shown in FIG.2. **Take care not to damage the unit by over tightening the fixings.** Ensure the fixing brackets are positioned to pick up on the inner steel skin of the vehicle and are not against the outer skin. If required an extension bracket can be used as shown in FIG.3.

FIG.1

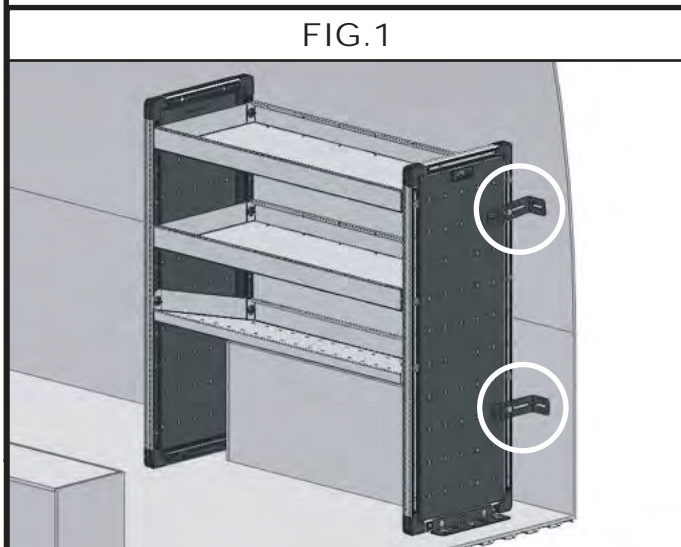


FIG.2

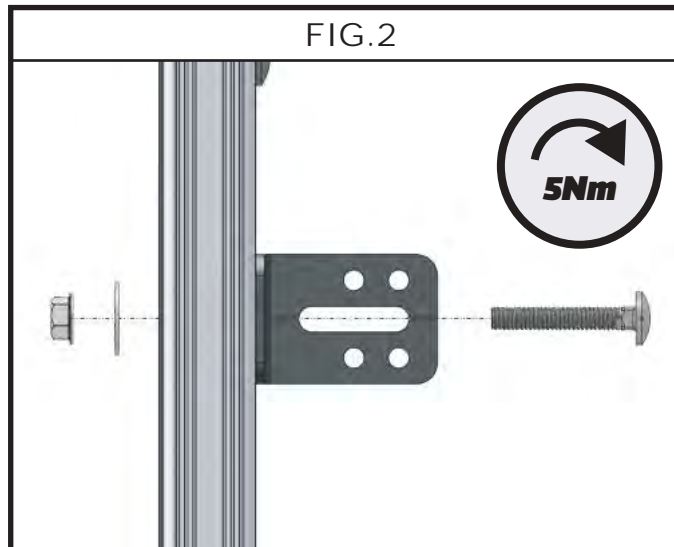
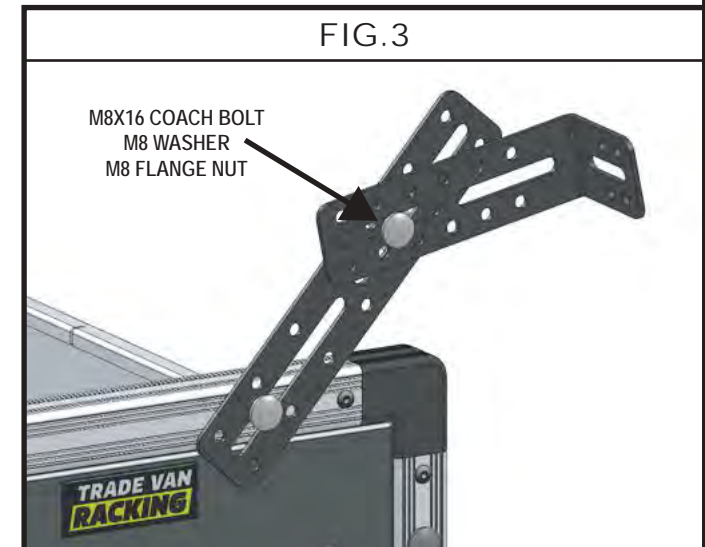


FIG.3





3.4



CAUTION



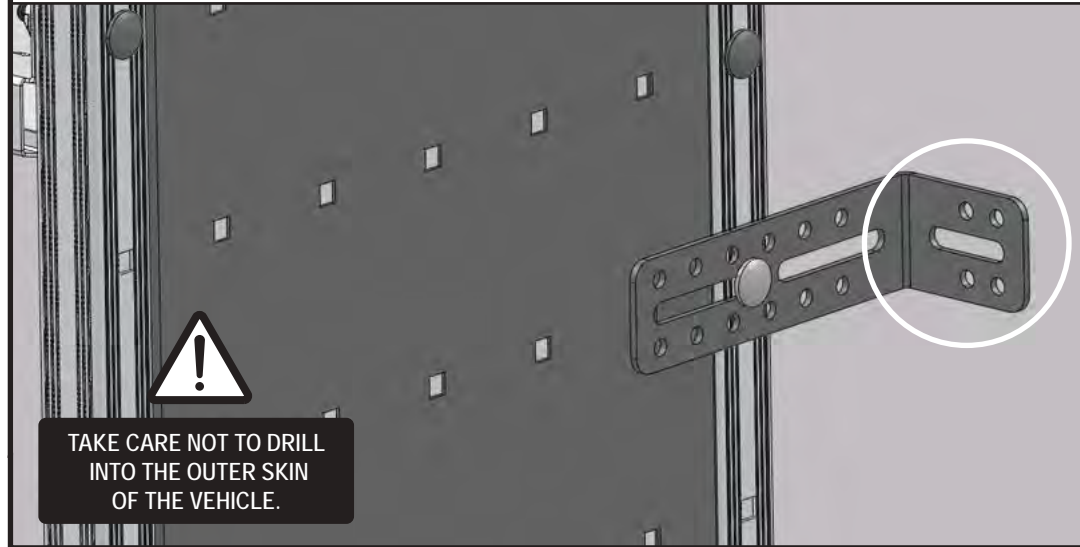
It is important that care is taken when drilling **and fixing to your vehicle.**

You should note that it is the responsibility of the installer/s to ensure that when drilling holes in to your vehicle to take fixings, care must be taken to ensure that the fuel line, tyres, fuel tank, wiring loom, exhaust, bodywork and brake lines etc. are not damaged.

If in doubt refer to the vehicle manufacturer's dealership.

3.5

Check the positions behind the fixing brackets are free from obstruction (wiring looms / electrical wires etc.). Once checked carefully drill through the fixing bracket holes using a suitable drill bit for the fixing.



3.6

Secure the fixing brackets to the side of the vehicle using M6x14 hex bolts, M6 washers and M6 flange nuts.

